

<b>TECHNICAL BULLETIN</b>		<i>File number</i> GEN - 031E
<i>Editor</i> H. DOMOTO	<i>Date</i> April 15, 2003	<i>Page number</i> 1 - 2
<i>Model</i> All models	<i>Type of information</i> MODIFICATION	
<i>Subject</i> Change of 3-point changeover switch      96 559		
<b>[General information]</b> <p>With the RYOBI presses shown below, 3-point changeover switch used for ink/water ductor switch and cylinder ON switch will discontinue in production, and change to a new type. There is a slight difference in size between the switches before and after the change. When you need to replace an old switch with a changed one in the field, switch mounting opening on the panel must be processed.</p> <p>This technical bulletin explains the applicable models and part numbers to be changed. Please use this information for your servicing in the field.</p>		
<b>[Applicable model]</b> RYOBI 3200PCX, 3200 PMX, 3300CR, 3300MR, 3302M, 3302H, 3302HA, 3304H, 3304HA, 3202MCS, 4502MCS, NP51, NP52, NP58, 500NX, 500NX-NP, 500K-NP, 510, 510-NP, 512, 512H, 520, 520H, 522X, 522HX, 522PF, 522PFH, 524H, 524HX, 525HX, 526HX, 580, 582H, 660, 660H, 662H, 662PFH (With the presses under the production, confirm the starting serial numbers using the design change information issued later.)		

## TECHNICAL BULLETIN

File number

GEN - 031E

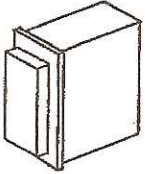
Subject

Change of 3-point changeover switch

Page number

2 - 2

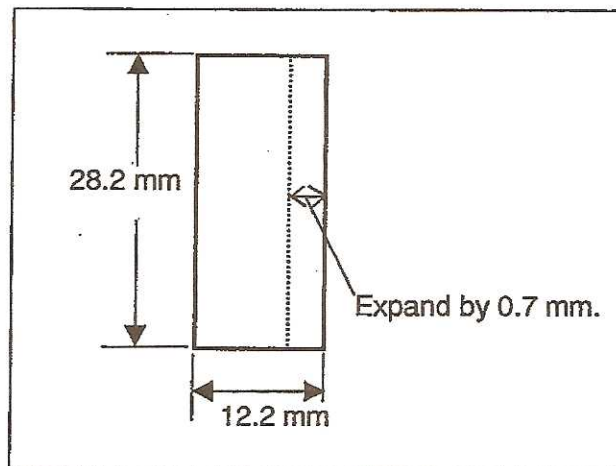
### [Change of parts]

Name	Part No.	
	Before the change	After the change
3-point changeover switch 	96 559	983 43 006

### [Change of mounting hole]

There is a slight difference in size between the switches before and after the change. When mounting a changed switch to the presses in the field, process the mounting hole on the panel, as shown in the illustration below.

Size of switch mounting hole



(Note) Wiring for switch terminals is not changed even after the switch is changed.